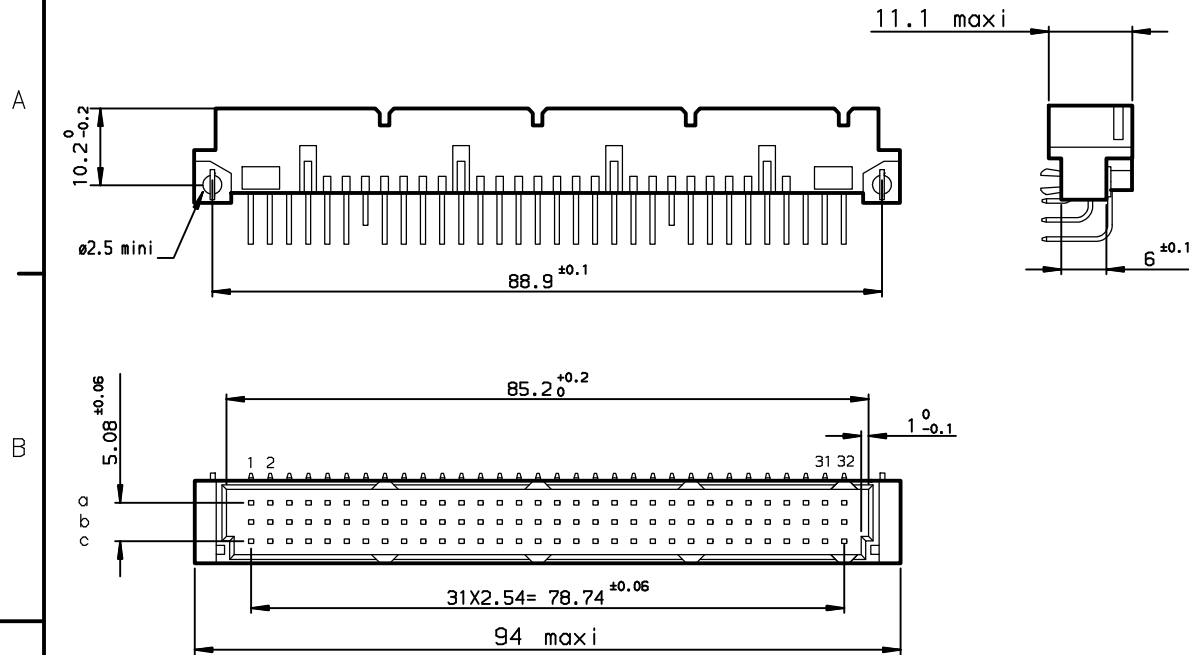


DIMENSIONS



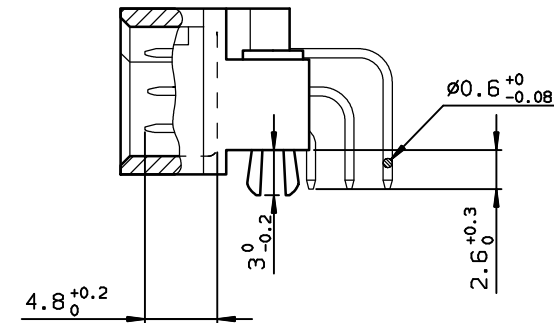
TIN LEAD PART NUMBER

PART NUMBER
86093947113H40265E1

LEAD FREE PART NUMBER

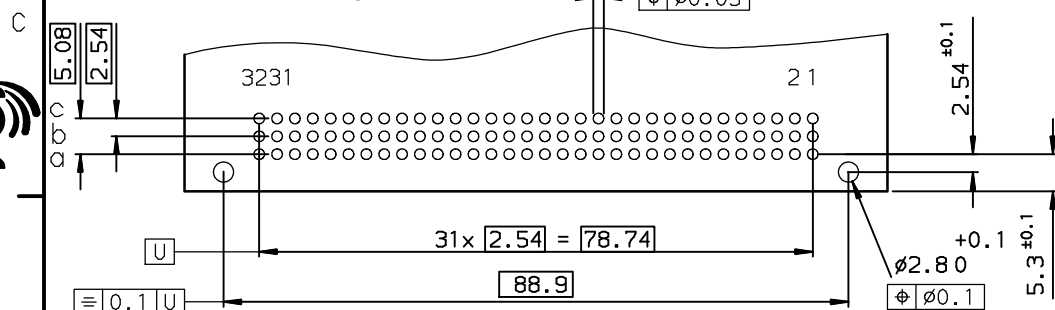
PART NUMBER
86093947113H40APLF

TERMINATION



P.C. CARD DRILLING (Component side view)

See drawing ref. C-8609-0000



SPECIFICATION 265 = no contact in position : C7-C23
or SPECIFICATION AP=

GENERAL CHARACTERISTICS AND ROHS INFORMATIONS:

SEE DRAWING C-8609-0000A

European Views

www.fciconnect.com		surface ISO 1302 ✓	tolerance std ISO 406 ISO 1101	projection mm
TOLERANCES UNLESS OTHERWISE SPECIFIED				size A3
Dr	ROUILLARD	2001/01/31	0.x ±0.1	Scale 1.5
Eng	TARON	2001/01/31	0.xx ±0.1	ECN LS06-0095
Chr	LEGARE	2001/01/31	0.xxx ±0.1	Spec ref -
Appr	LEGARE	2001/01/31	Product family DIN 8609	
title STANDARD MALE 3 ROW 94 CONTACTS			chg no C-8609-0882	Rev. C
catalog no -			CUSTOMER sheet 1 of 1	

rev	ecn no	dr	date
A	-	-	2001/01/31
B	LS05-001	JTA	2005/03/03
C	LS06-0095	LGO	2006/06/26
-	-	-	-
-	-	-	-
-	-	-	-
-	-	-	-



Copyright FCI.